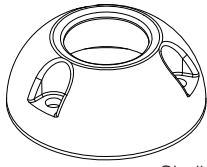
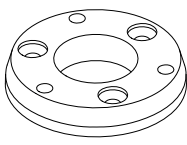
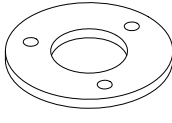


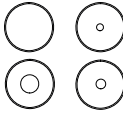
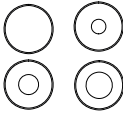
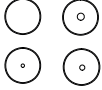


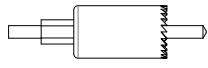



Parts List

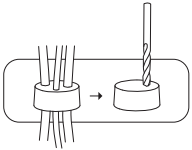
 Shell x1	 Base x1	 Gasket x1	 Self tapping screw DS21 No. 6X16 x3 DS16 No. 4X16 x3
 Bolt - (Black*) DS21 M4X10 x3 DS16 M3X10 x3	 DS21A Bung x4	 DS21B Bung x4	 DS16 Bung x4

Tools Required

 Pozi Screwdriver	 Silicone
 DS21 - $\varnothing 21\text{mm}$ (0.82") DS16 - $\varnothing 16\text{mm}$ (0.62") Hole Saw	 $\varnothing 2\text{mm}$ (5/64") / $\varnothing 2.5\text{mm}$ (3/32") $\varnothing 3\text{mm}$ (1/8") Drill Bit

① Choose bung closest to cable  $\varnothing$ .

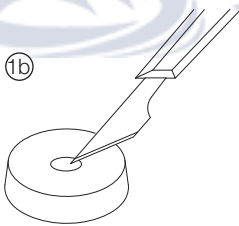
DE - Wähle Dichtung nahe dem Kabel  $\varnothing$ .  
 IT - Scegliere il passafili adatto al  $\varnothing$  del cavo.  
 ES - Elija el tapón con el diámetro más parecido al cable.  
 FR - Choisissez le joint le plus proche du diamètre du câble.

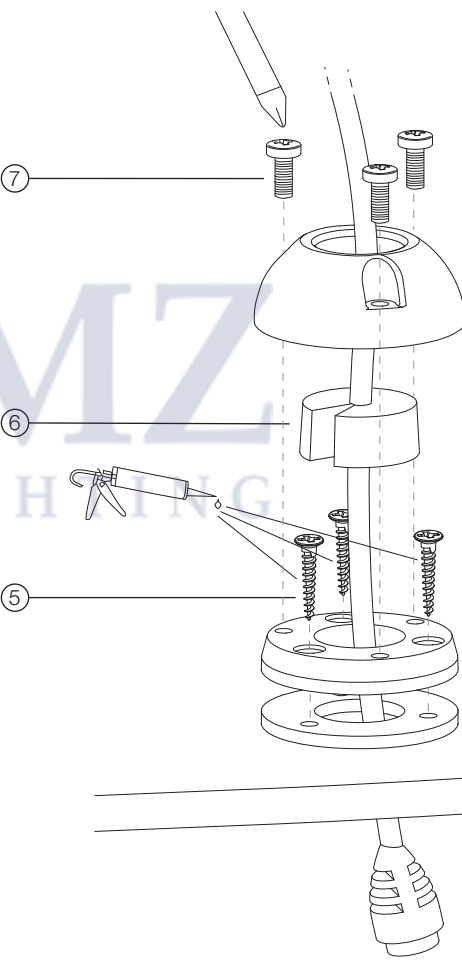
①a 


Tip: freeze before drilling  $-18^{\circ}\text{C}$


$\varnothing = \text{cable } \varnothing + 1.5\text{mm}$


$4\text{mm}$  (0.16")

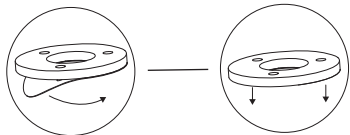
①b 



⑤ 

⑥ 

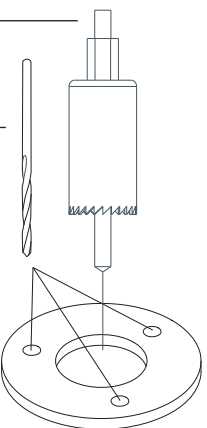
⑦ 

② 

③ 16mm (0.62")  
21mm (0.82")

④ Suggested pilot holes:

Material	No. 4 Screw	No. 6 Screw
Soft Material e.g. plywood	2mm (5/64")	2.5mm (3/32")
Hard Material e.g. fiberglass, acrylic, hardwoods	2.5mm (3/32")	3mm (1/8")



Share your installation with us.



UK & International  
 +44 (0)1392 531280  
 sales@scanstrut.com

For further installation  
 and warranty information  
 please visit:  
 www.scanstrut.com

USA  
 +1 860 308 1416  
 usasales@scanstrut.com

